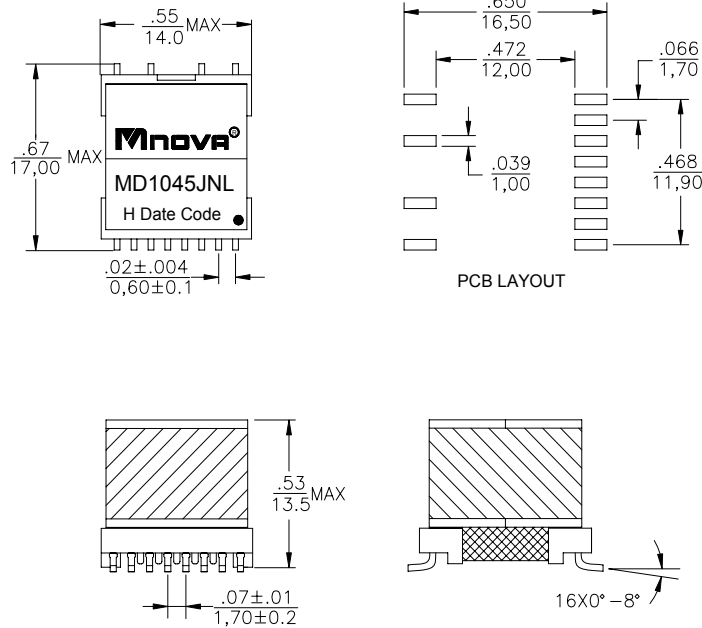


- Designed to meet UL 60950
- Working voltage up to 250Vrms
- Excellent THD performance
- ROHS Compliance Product
- Operating Temperature range: -40°C TO +85°C



Electrical Specifications @ 25°C						
P/N	T/R			OCL@10KHz 0.1V	Hi-Pot	
MD1045JNL	(16-9):(8-5),(tie11+14,7+6)		(16-9):(1-4),(tie11+14,2+3)		(16-9),(tie11+14)	PRI TO SEC
	1:1±2%		4.29:1±2%		2.0mH±6%	6000V DC 1mA 2s
	DCR			LL @ 100KHz 0.1V	CWW @ 100KHz 0.1V	
	(1-4) (tie2+3)	(5-8) (tie6+7)	(16-9) (tie11+14)	(16-9) (tie11+14,1+2+3+4+5+6+7+8)	(1-16),(tie3+2,11+14,6+7)	
	0.7Ω MAX	2.2Ω MAX	1.1Ω MAX	22μH MAX	20pF MAX	

DIMENSIONS (unit: inch/mm):



SCHEMATICS:

