

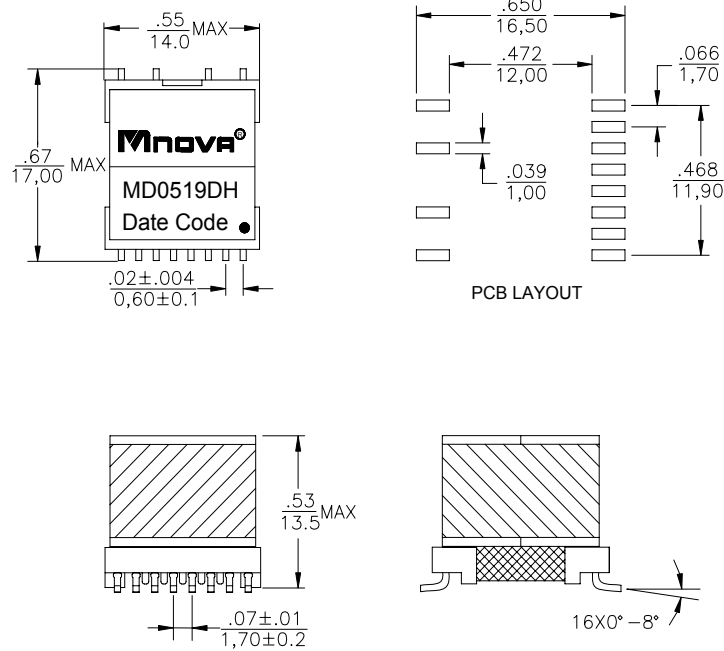
- Designed to meet UL 60950
- Working voltage up to 250Vrms
- Excellent THD performance
- ROHS Compliance Product
- Operating Temperature range: -40°C TO +85°C



### Electrical Specifications @ 25°C

P/N	T/R		OCL@10KHz 0.1V	Hi-Pot
MD0519DH	(16-9):(1-4),(tie11+14,2+3)		(16-9), (tie11+14)	PRI TO SEC
	(16-9):(5-8),(tie11+14,6+7)		700µH ±5%	4500VAC, 1mA 6s
	4:1±1%		2:1±1%	
	DCR		LL @ 100KHz 0.1V	CWW @ 100KHz 0.1V
	(1-4),(tie2+3)	(5-8),(tie6+7)	(16-9), (tie11+14) (tie11+14, 1+2+3+4+5+6+7+8)	(16-1) (tie9+11+14+16, 1+2+3+4+5+6+7+8)
1.5Ω MAX	2.5Ω MAX	5.0Ω MAX	25µH MAX	50pF MAX

### DIMENSIONS (unit: inch/mm):



### SCHEMATICS:

