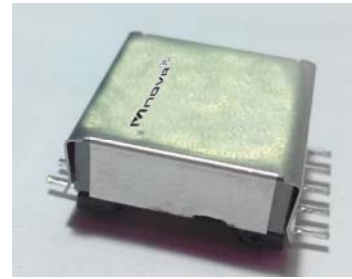


- Designed to meet UL 60950-1
- Ideally Used In POE Transformer
- Isolation 1500 Vrms
- Recommended solder profile:Reflow
- ROHS Compliance Product
- Operating Temperature range: -40°C TO +85°C



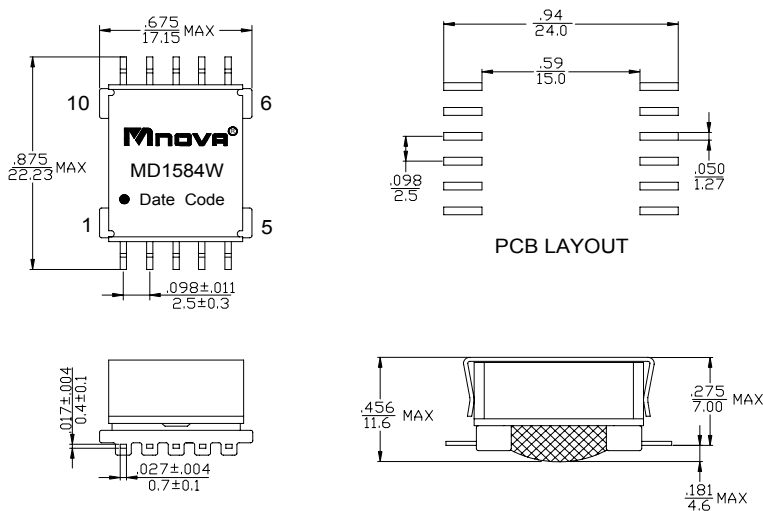
### Electrical Specifications @ 25°C

P/N	T/R (±3%)	OCL@ 100KHz 0.1V (μH ±10%)	LL@ 10KHz 0.1V (μH MAX )	Hi-pot (Vrms)
		(3-5):(9,10-6,7):(1-2)	(3-5)	(3-5) , tie(1+2,6+7+9+10)
MD1584W	1:0.5:0.48	170	4	1500

### Additional Specifications

P/N	D.C.R (mΩ MAX)			
	(3-5)	(2-1)	(9,10-6,7)	/
MD1584W	700	800	200	/

### Dimensions (unit: inch/mm)



### Schematics

