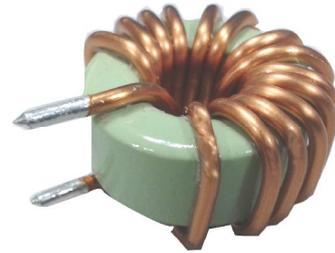


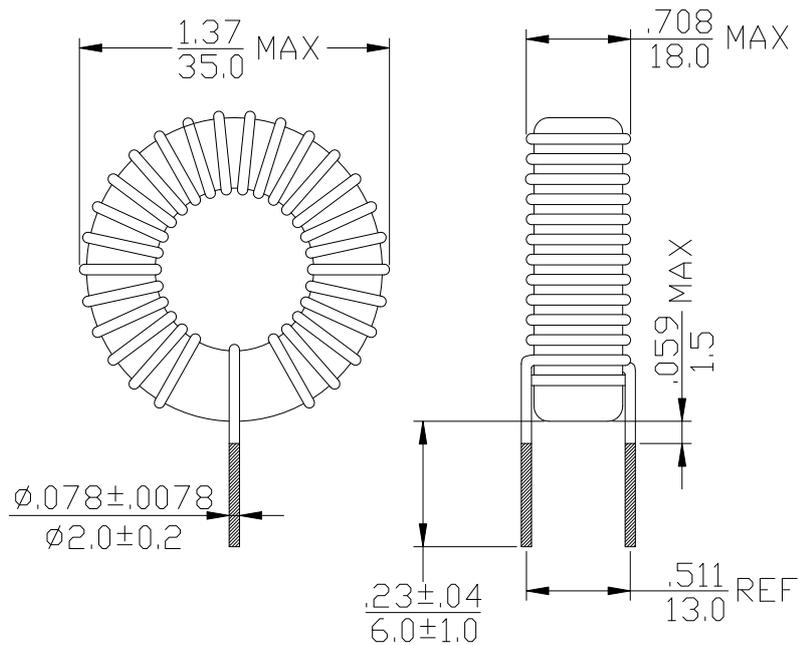
- Inductor
- Dip in varnish per spec callout
- Current capability up to 20A
- Recommended solder profile: Wave soldering
- ROHS Compliance Product
- Operating Temperature range: -40°C TO +85°C



Electrical Specifications @ 25°C

P/N	OCL @1KHz 0.25V ($\mu\text{H} \pm 20\%$)	DCR (m Ω MAX)
MH27002	20	4

Dimensions (unit: inch/mm)



Schematics

