

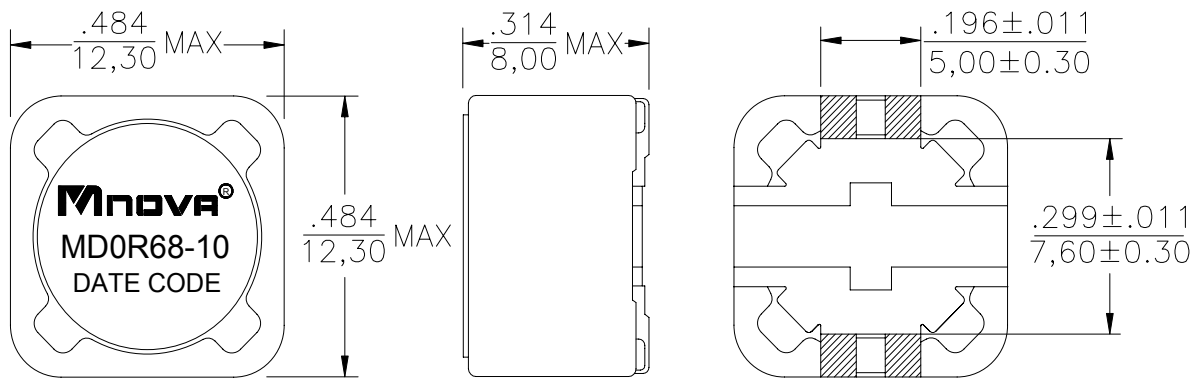
- Large Current and Low DCR
- Magnetically shielded construction
- ROHS Compliance Product
- Operating Temperature range: 0°C TO +85°C



Electrical Specifications @ 25°C

P/N	OCL @100KHz, 0.1V	DCR	RATED CURRENT
MD0R68-10	(1-2)	(1-2)	(1-2)
	0.68μH ±30%	2.5mΩ MAX	10A MAX

DIMENSIONS (unit: inch/mm):



SCHEMATICS:

