

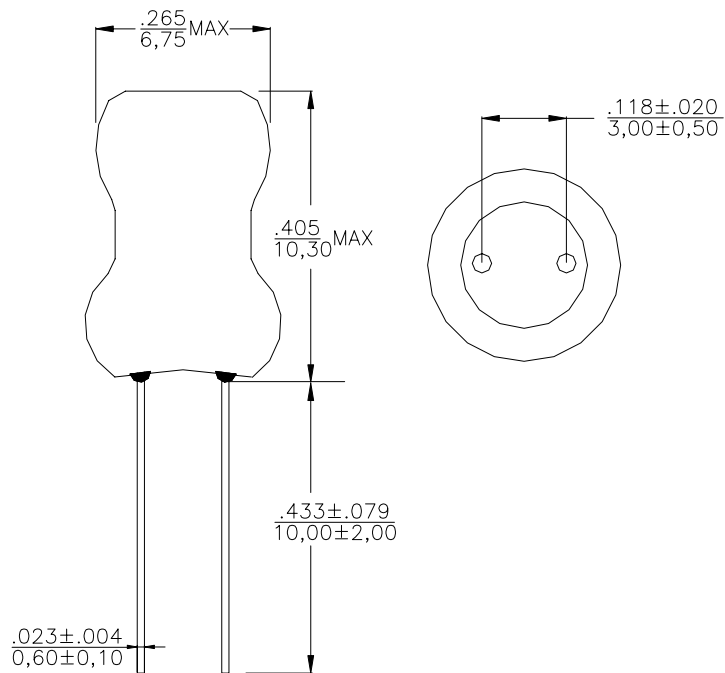
- Lowest EMI
- Low Cost, High Current
- ROHS Compliance Product
- Operating Temperature range: 0°C TO +70°C



Electrical Specifications @ 25°C

P/N	OCL @10KHz 0.1V	DCR
MPK0608-150K	(1-2)	(1-2)
	15μH +15%/-10%	70mΩ MAX

DIMENSIONS (unit: inch/mm):



SCHEMATICS:

