

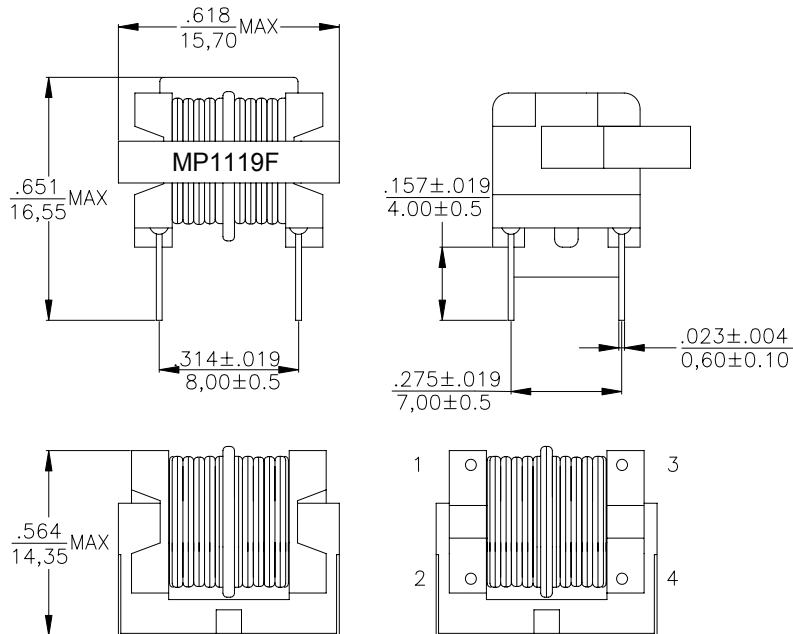
- Analog modem Transformer
- SMD type for pocket & notebook modem
- ROHS Compliance Product
- Operating Temperature range: 0°C TO +70°C



### Electrical Specifications @ 25°C

P/N	T/R	OCL @10KHz 0.1V	DCR	Hi-Pot
MP1119F	(1-2) : (3-4)	(1-2) = (3-4)	(1-2) = (3-4)	PRI TO SEC
	1 : 1	44mH MIN	3.7Ω±10%	3800V AC 1mA 2s

### DIMENSIONS (unit: inch/mm):



### SCHEMATICS:

