

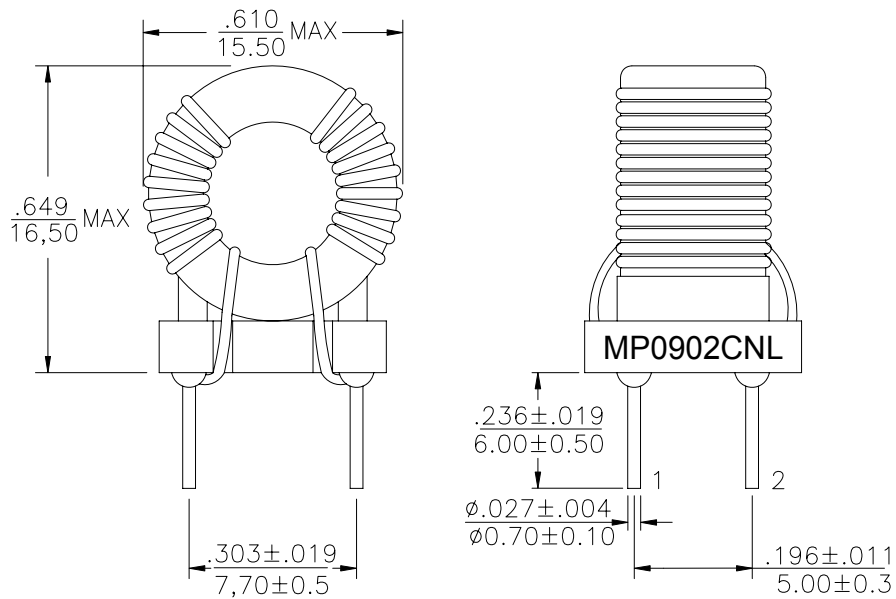
- Lowest EMI
- Low Cost, High Current
- ROHS Compliance Product
- Operating Temperature range: 0°C TO +70°C



### Electrical Specifications @ 25°C

P/N	T/R	OCL@1KHz 0.25V	Rated Current
MP0902CNL	(1-2) : (3-4)	(1-2)=(3-4)	(1-2) TO (3-4)
	1:1	20μH ±10%	1500VAC 1mA 6s

### DIMENSIONS (unit: inch/mm):



### SCHEMATICS:

