

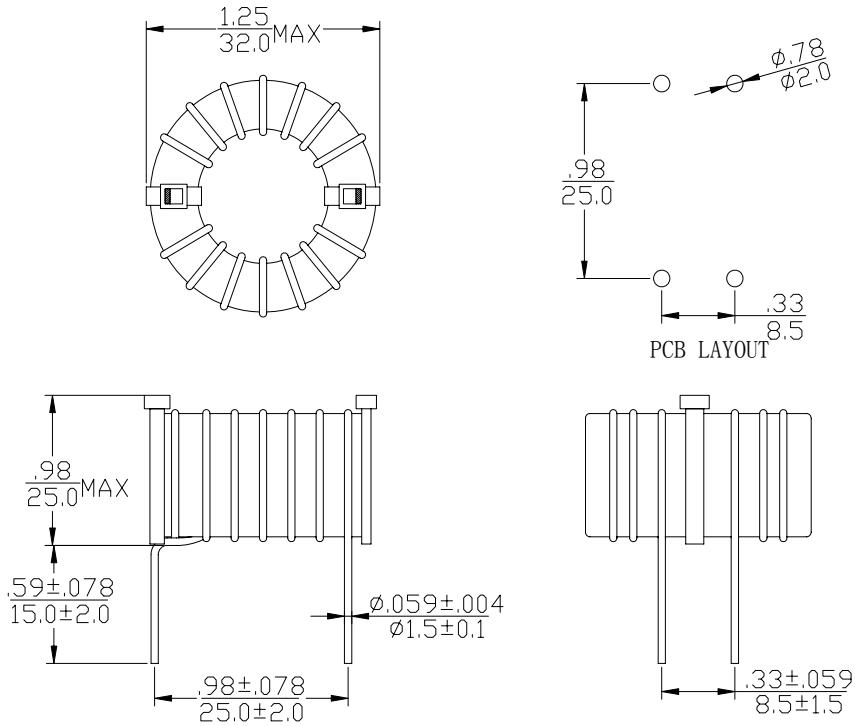
- Lowest EMI
- Low Cost, High Current
- ROHS Compliance Product
- Operating Temperature range: 0°C TO +70°C



Electrical Specifications @ 25°C

P/N	T/R	OCL @1KHz 0.25V	DCR	Rated Current
MH25003	(1-2):(4-3)	(1-2)=(3-4)	(1-2)=(3-4)	(1-2)=(3-4)
	1:1	350μH MIN	15mΩ MAX	12A

DIMENSIONS (unit: inch/mm):



SCHEMATICS:

