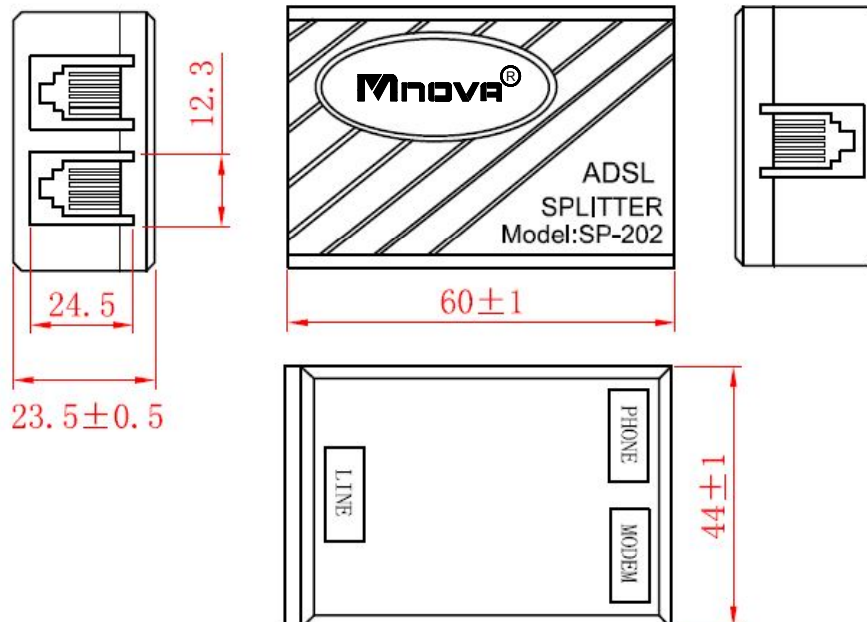


- ADSL SPLITTER
- ROHS Compliance Product
- Meets BT、ITU、ANSI、YD/T specification
- Operating Temperature range:0℃ TO +40℃.



Electrical Specifications@25℃		
ADSL Splitter Annex A		
Splitter parameter	Electrical requirements	
	conditions	values
Splitter bandwidth	/	DC to 7 kHz
Nominal voice band	/	DC to 4 kHz
Ringing frequency	/	25 Hz to 50 Hz
POTS line impedance	300 Hz to 3.4 kHz	600 ohms
Modem impedance	30 kHz to 1.104 MHz	100 ohms
DC Loop current	/	< 100 mA
DC series resistance	POTS port shorted.	< 25 ohms
Tip to ring Isolation resistance	/	> 5 Mohms
Voice band loss requirements		
Insertion loss	600Ω/@ 1 kHz	< 0.5 dB
Insertion loss distortion	600Ω/200Hz-4kHz	±0.5 dB
Return loss	300 Hz to 500 Hz	> 16 dB
	500 Hz to 2000 Hz	> 18 dB
	2000 Hz to 3400 Hz	> 18 dB
Group delay distortion	200 Hz to 600 Hz	< 250 uS
	600 Hz to 3200Hz	< 200 uS
	3200 Hz to 4000 Hz	< 250 uS
Longitudinal balance	200 Hz to 1 kHz	> 58 dB
	3kHz	> 53 dB
Attenuation	30 kHz to 300 kHz	> 65 dB
	300 kHz to 1.104 MHz	> 55 dB

DIMENSIONS (unit: inch/mm):



SCHEMATICS:

